



**TC-142 & TC-1421 TRANSFER CASE**

**PARTS MANUAL**

## 8.0 ILLUSTRATED PARTS

### TABLE OF CONTENTS

	FIGURE
Upper Shaft.....	8.1
Intermediate Shaft, TC-142.....	8.2
Intermediate Shaft, TC-1421 .....	8.3
Lower Shaft, TC-142 .....	8.4
Lower Shaft, TC-1421 .....	8.5
Front Output Shaft.....	8.6
PTO Output Shaft.....	8.7
Hydraulic Pump Drive Mounting .....	8.8
Air Shift Cylinder for Declutches .....	8.9
Air Shift Cylinder for Direct and Underdrive, TC-142 .....	8.10
Air Shift Cylinder for Direct, Neutral and Underdrive, TC-142.....	8.11
Air Shift Cylinder for Direct and Neutral, TC-1421 .....	8.12
Housing and Filter.....	8.13

#### TO USE THIS ILLUSTRATED PARTS SECTION

1. Refer to the figures which illustrate the needed part.
2. Find the required part and note the item number and quantity.
3. Locate the item number in the parts list section for the required part number and description.

**NOTE: When ordering parts, specify transfer case model number, part number, serial number or other information that is on the Fabco nameplate located on the transfer case housing.**

Part numbers contained in this manual were in effect at the time the manual was approved for printing and are subject to change without notice or liability. Fabco Automotive Corporation reserves the right to change parts at anytime.

**USE ONLY GENUINE FABCO PARTS**

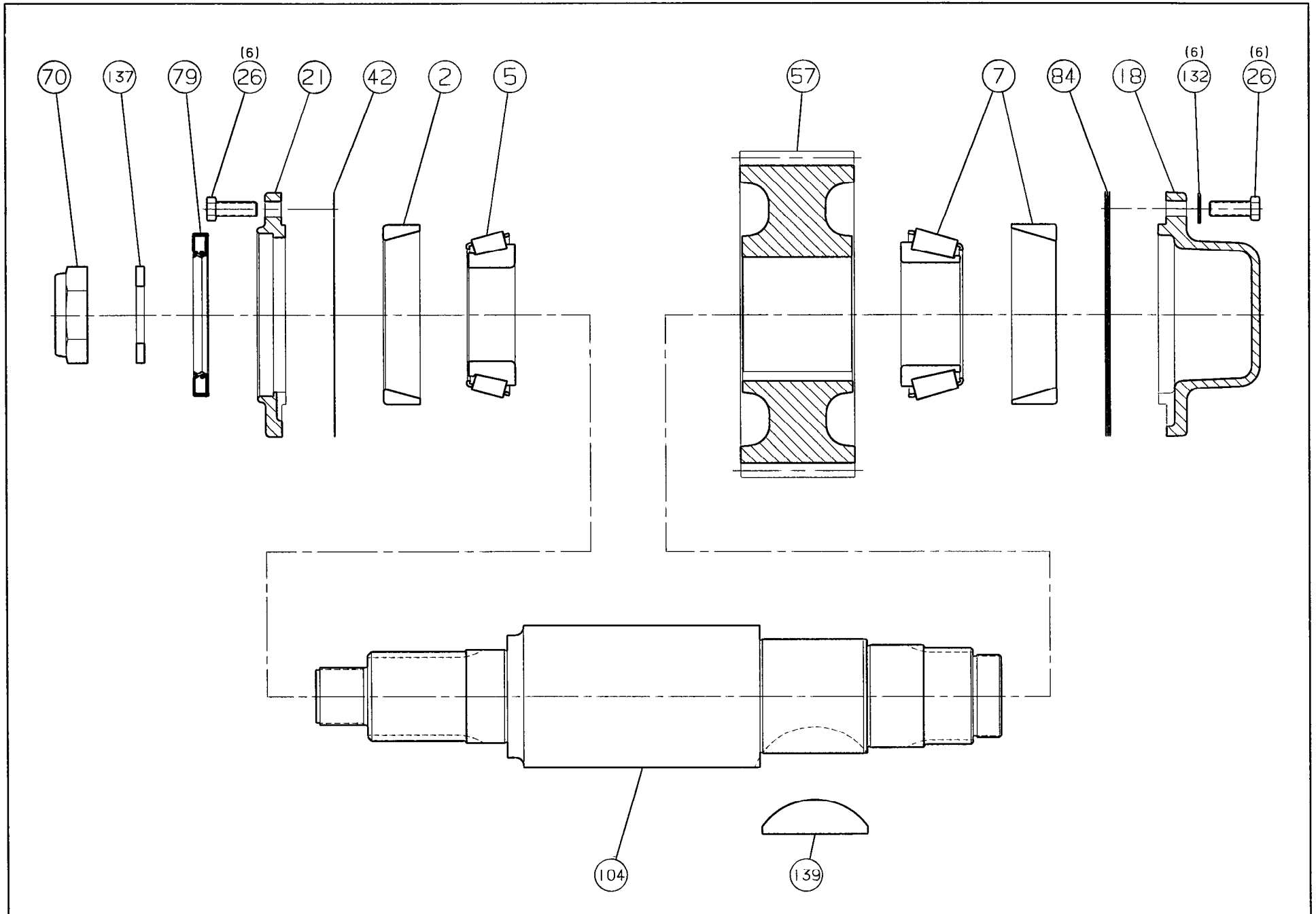


FIGURE 8.1 , TC-142 & TC-1421 , UPPER SHAFT PARTS

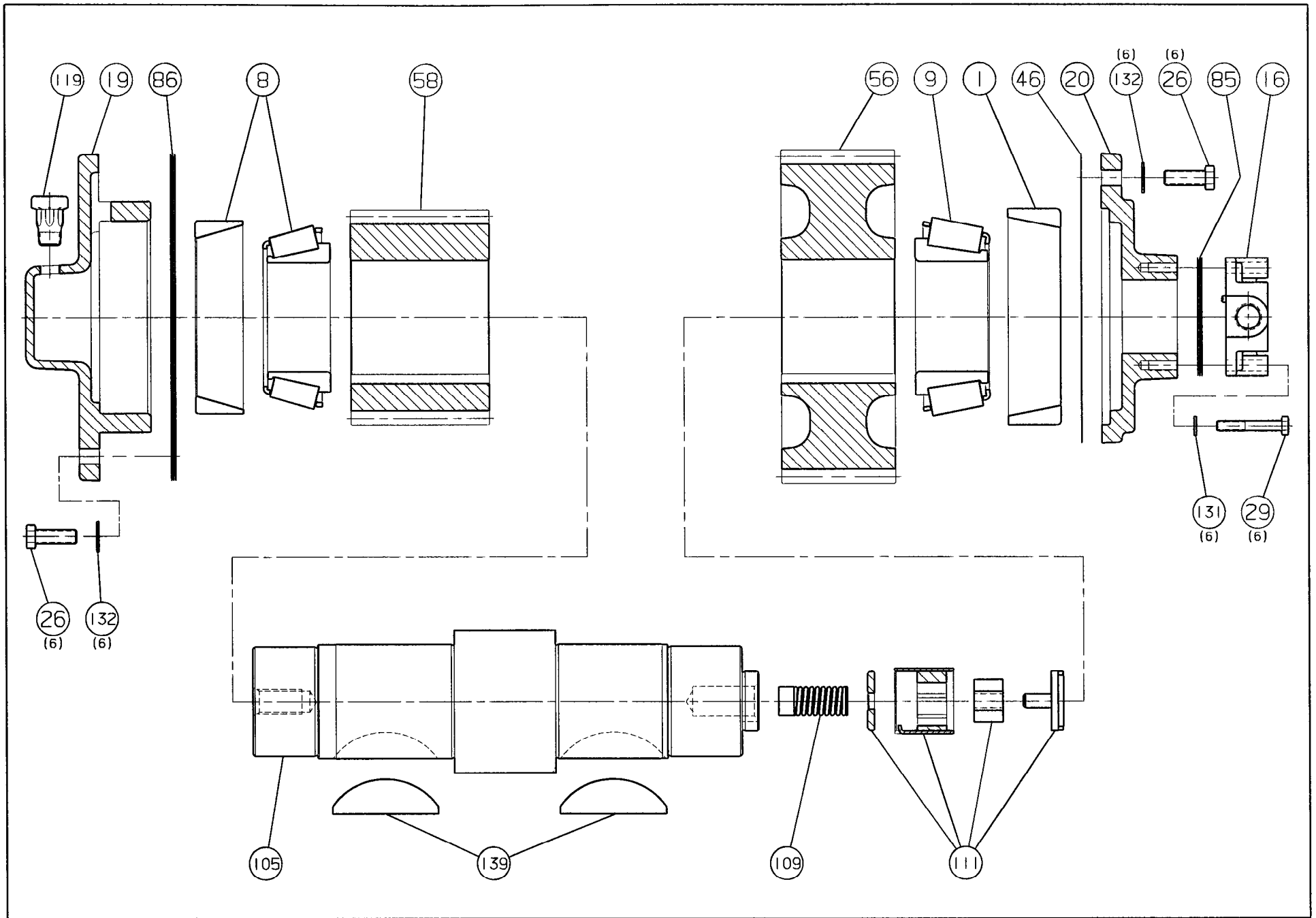


FIGURE 8.2 , TC-142 , INTERMEDIATE SHAFT PARTS

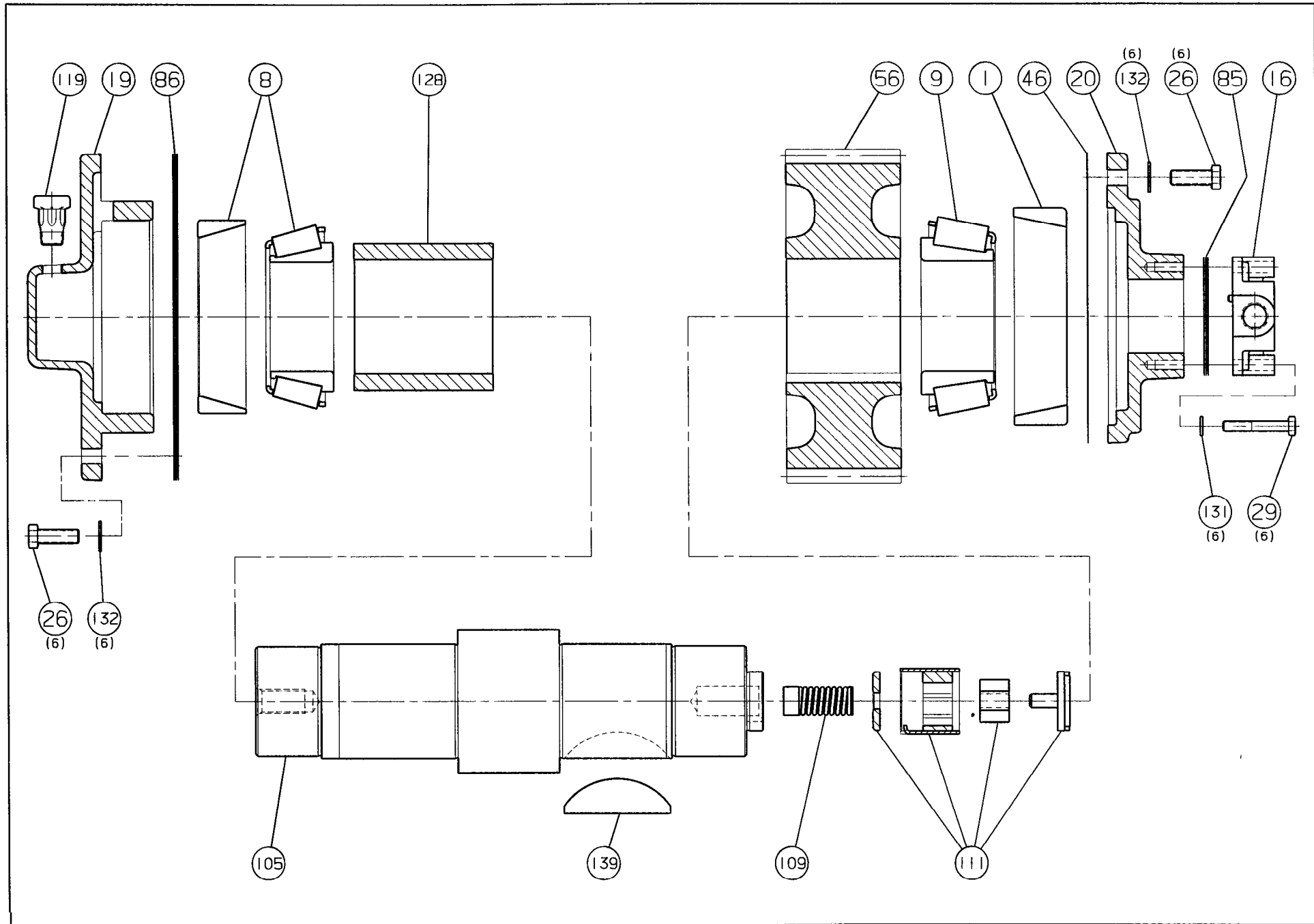


FIGURE 8.3 , TC-1421 , INTERMEDIATE SHAFT PARTS

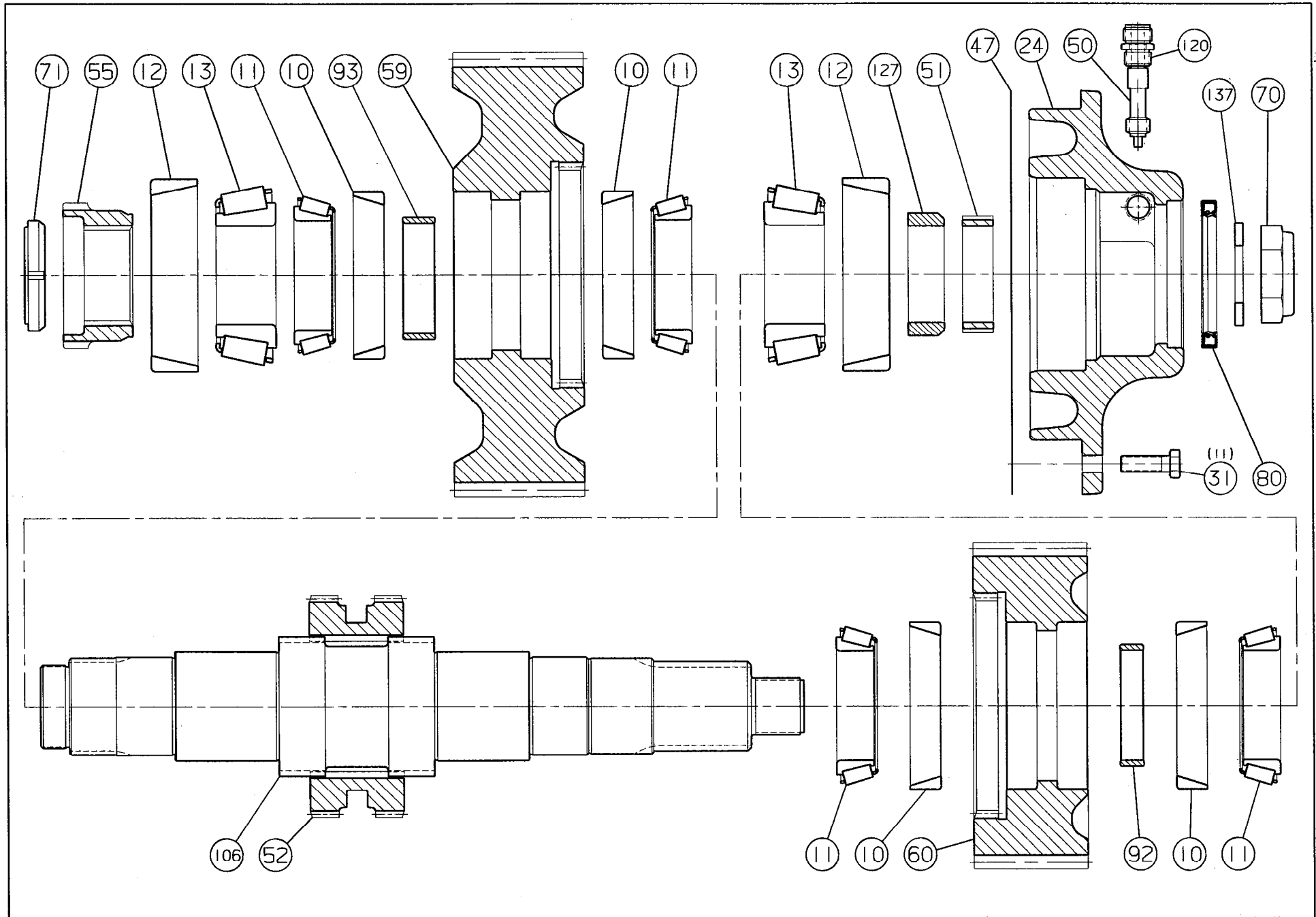


FIGURE 8.4 , TC-142 , LOWER SHAFT PARTS

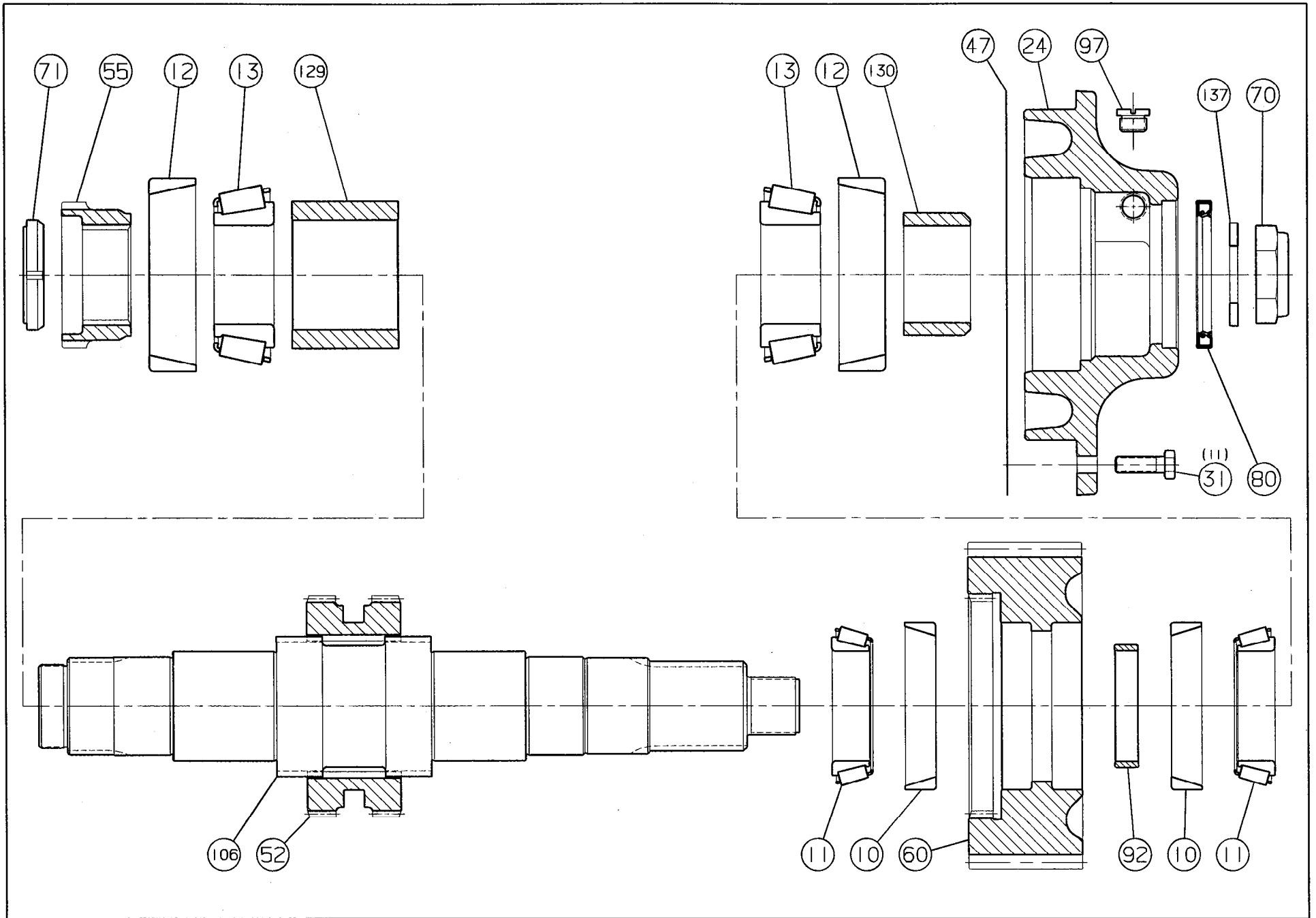


FIGURE 8.5 , TC-1421 , LOWER SHAFT PARTS

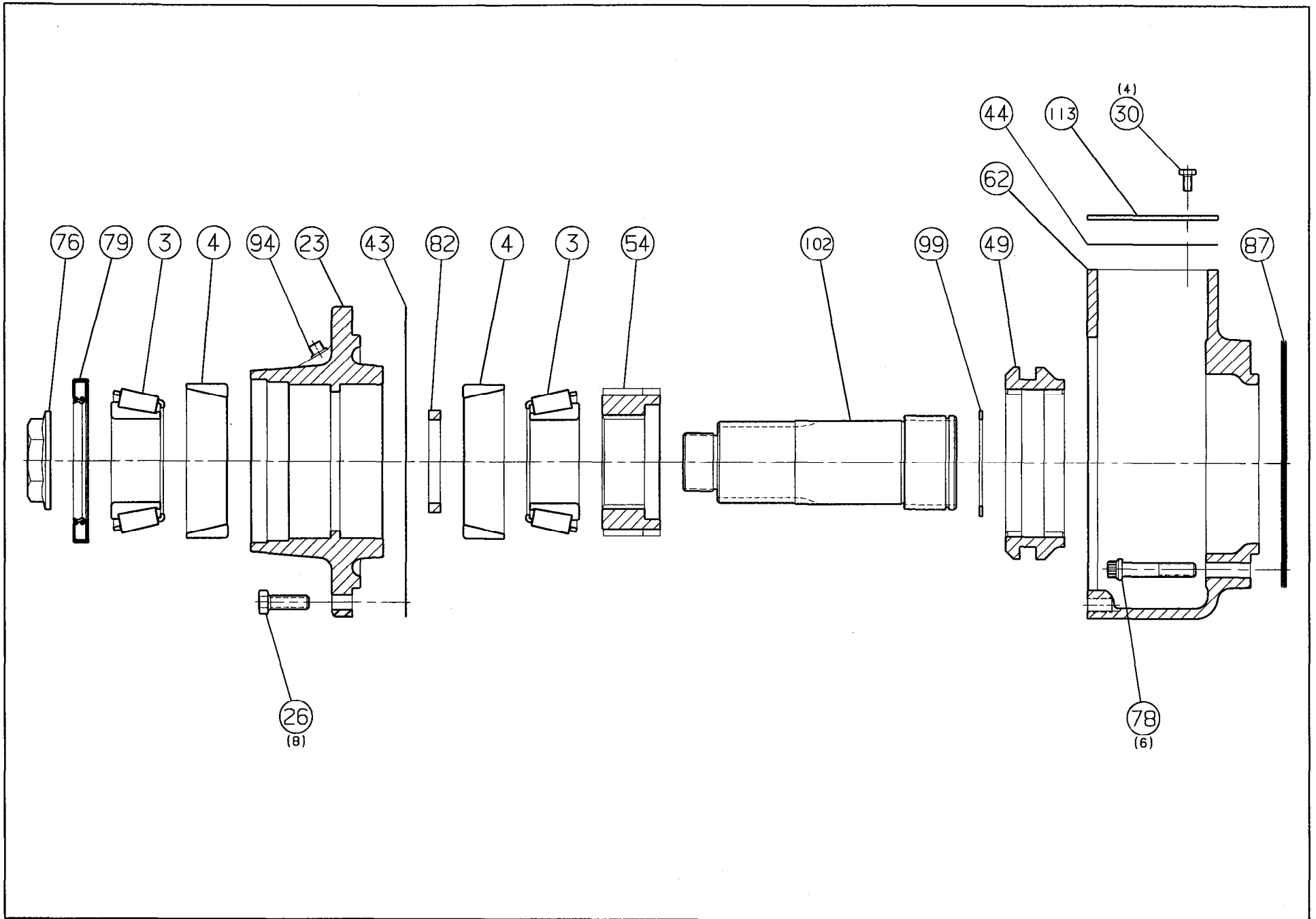


FIGURE 8.6 , TC-142 & TC-1421 , FRONT OUTPUT SHAFT PARTS



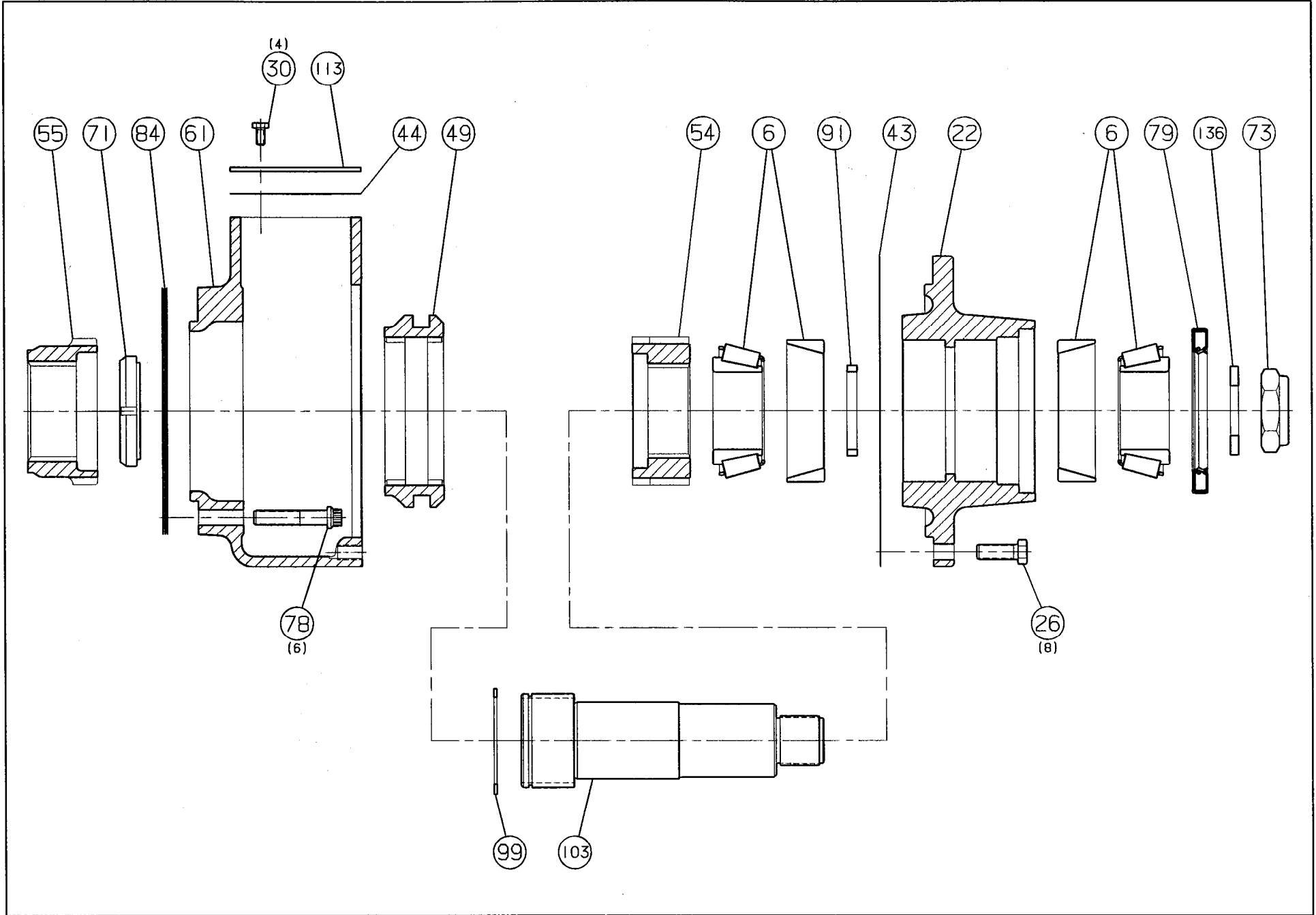


FIGURE 8.7 , TC-142 & TC-1421 , PTO OUTPUT SHAFT PARTS

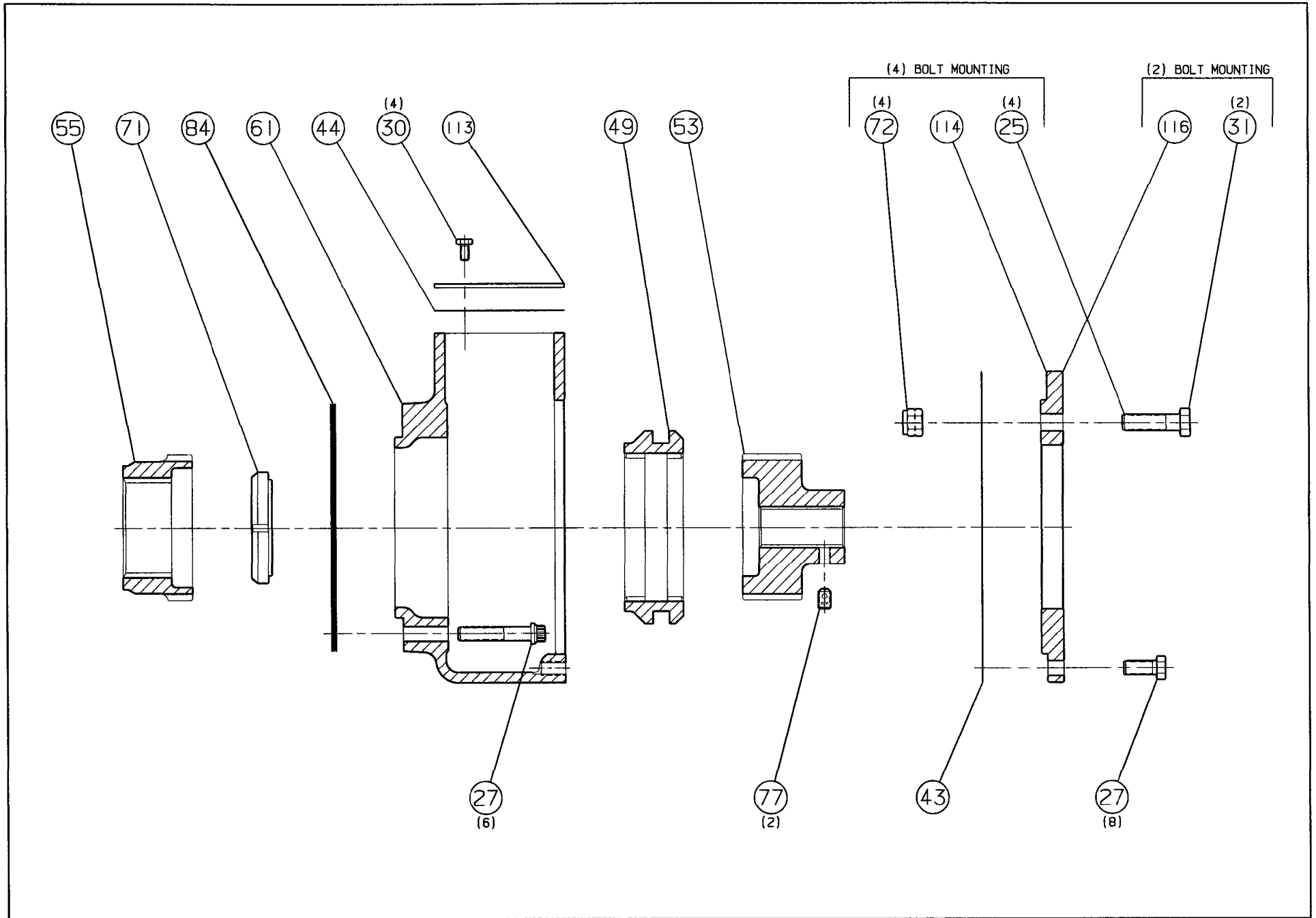


FIGURE 8.8 , TC-142 & TC-1421 , HYDRAULIC PUMP DRIVE MOUNTING PARTS

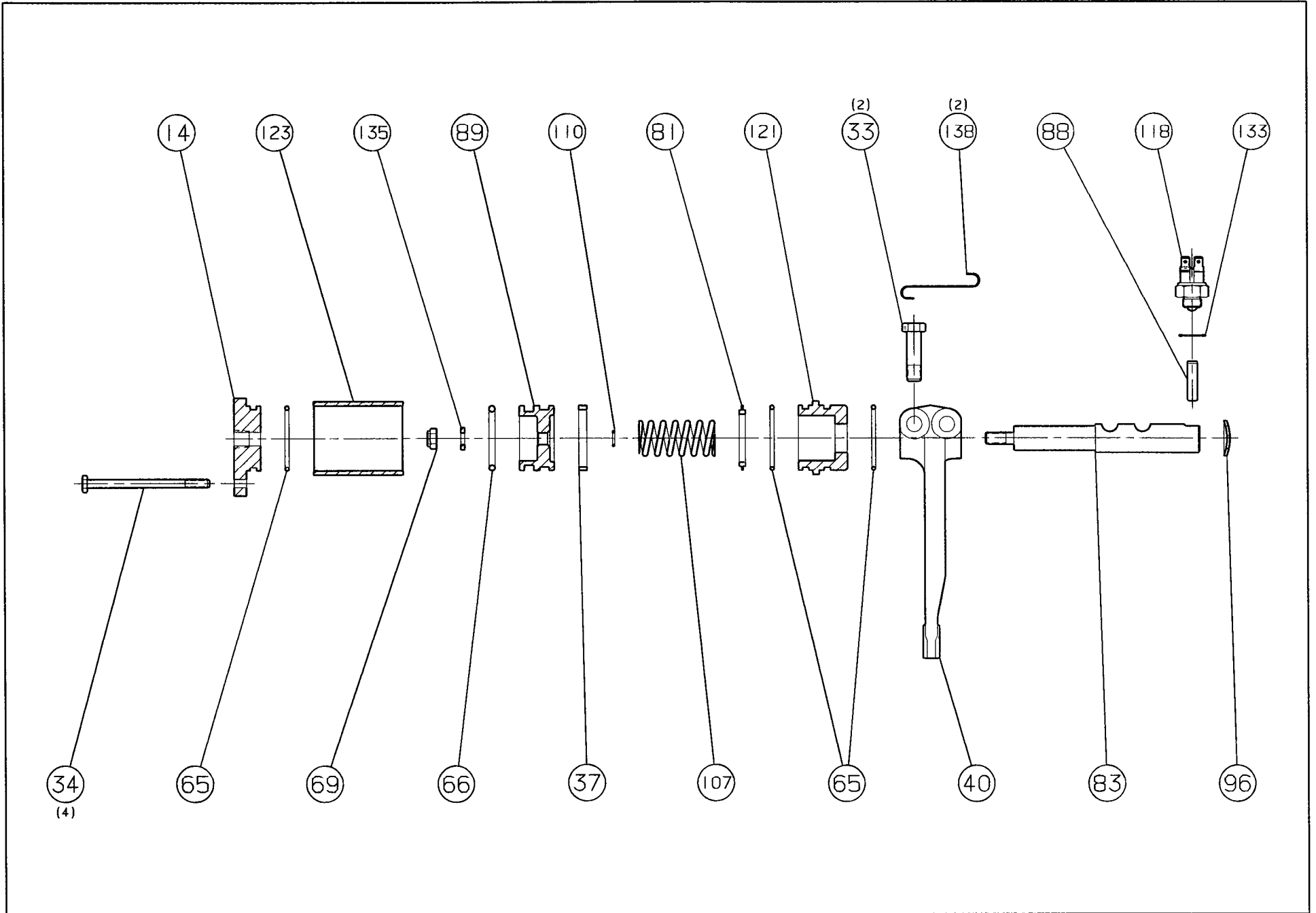


FIGURE 8.9 , TC-142 & TC-1421 , AIR SHIFT CYLINDER PARTS FOR THE FRONT OUTPUT DECLUTCH , PTO OUTPUT DECLUTCH & HYDRAULIC PUMP DRIVE DECLUTCH

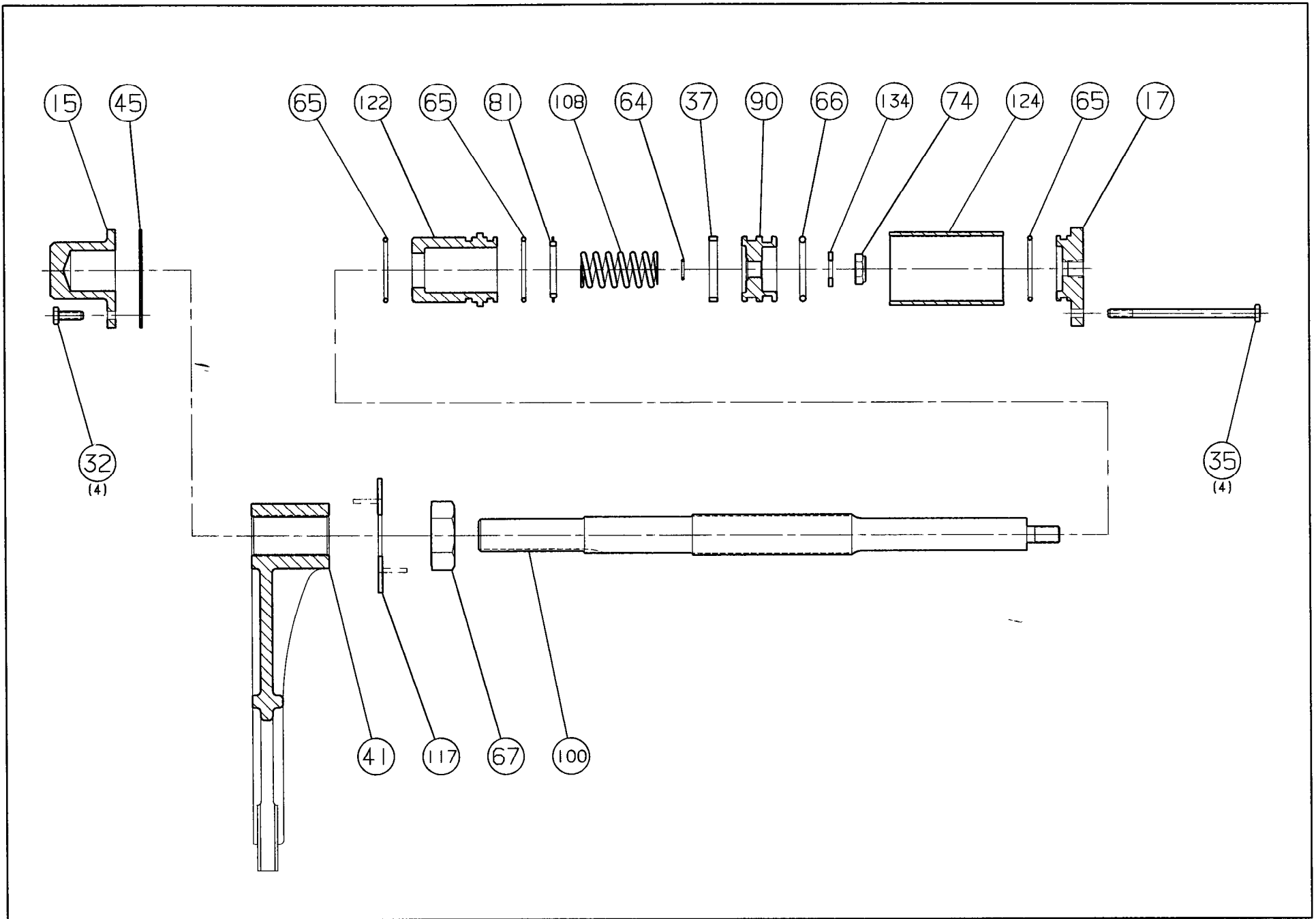


FIGURE 8.10 , TC-142 , AIR SHIFT CYLINDER PARTS FOR DIRECT & UNDERDRIVE

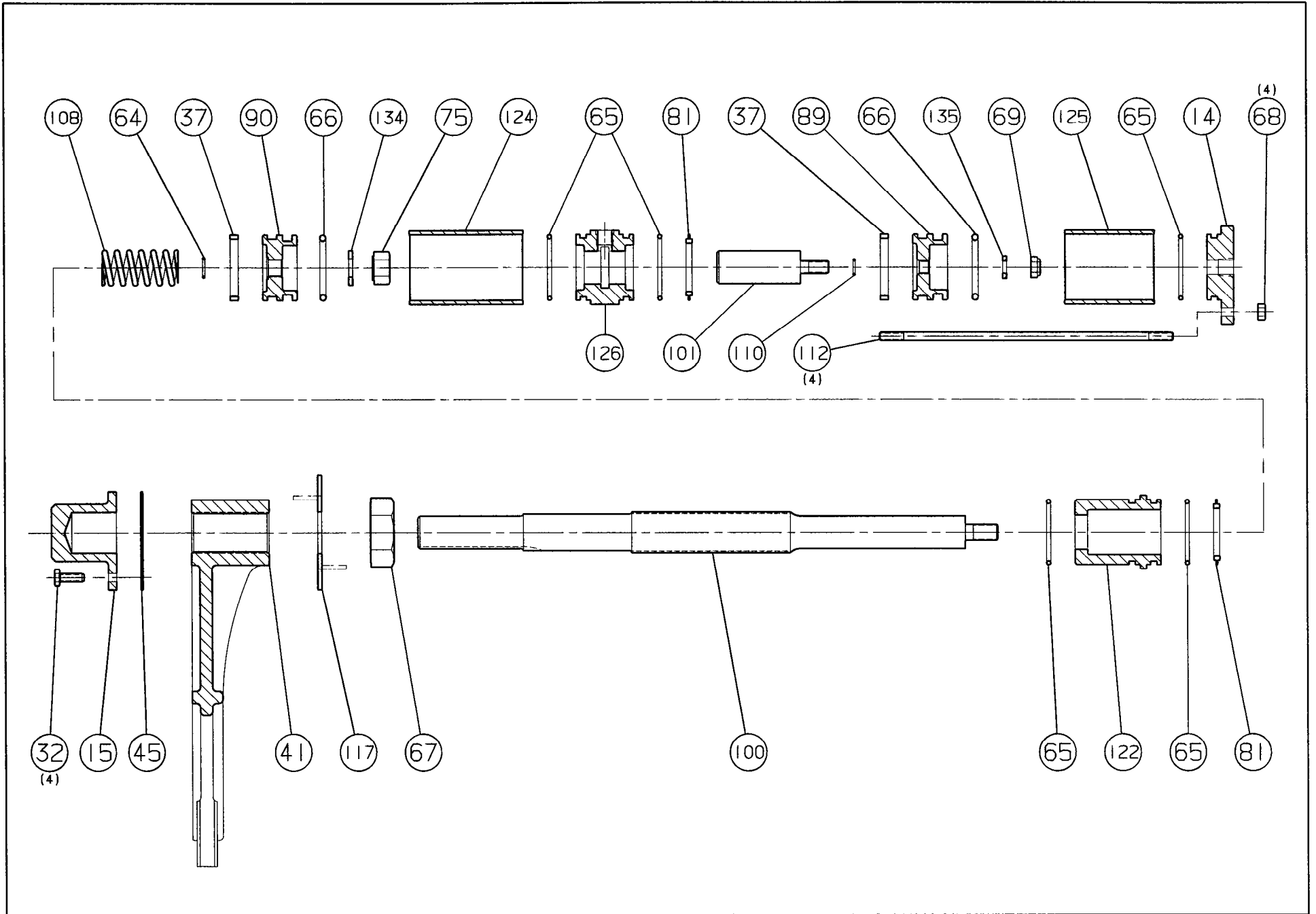


FIGURE 8.11 , TC-142 , AIR SHIFT CYLINDER PARTS FOR DIRECT , NEUTRAL & UNDERDRIVE

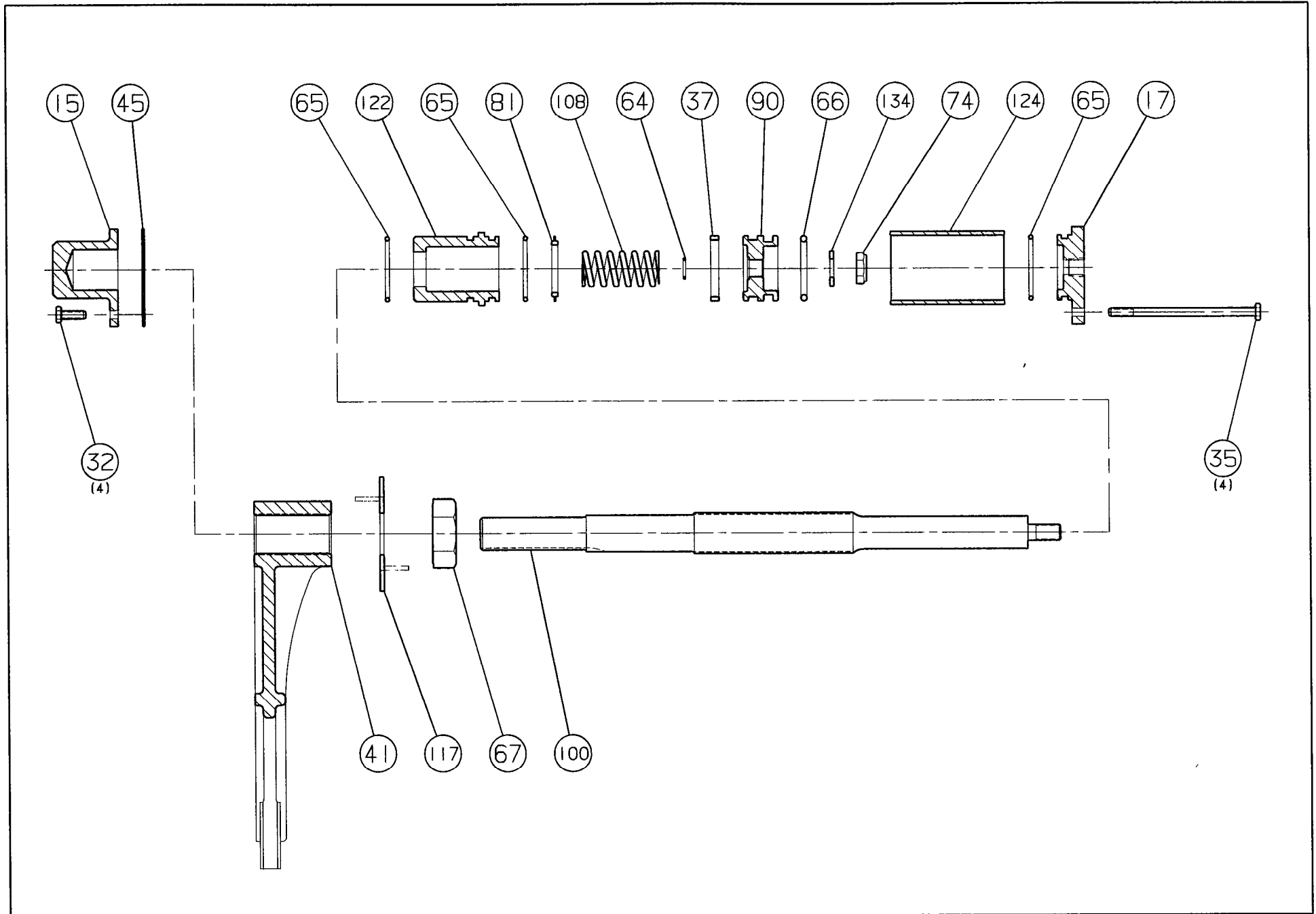


FIGURE 8.12 , TC-1421 , AIR SHIFT CYLINDER PARTS FOR DIRECT & NEUTRAL

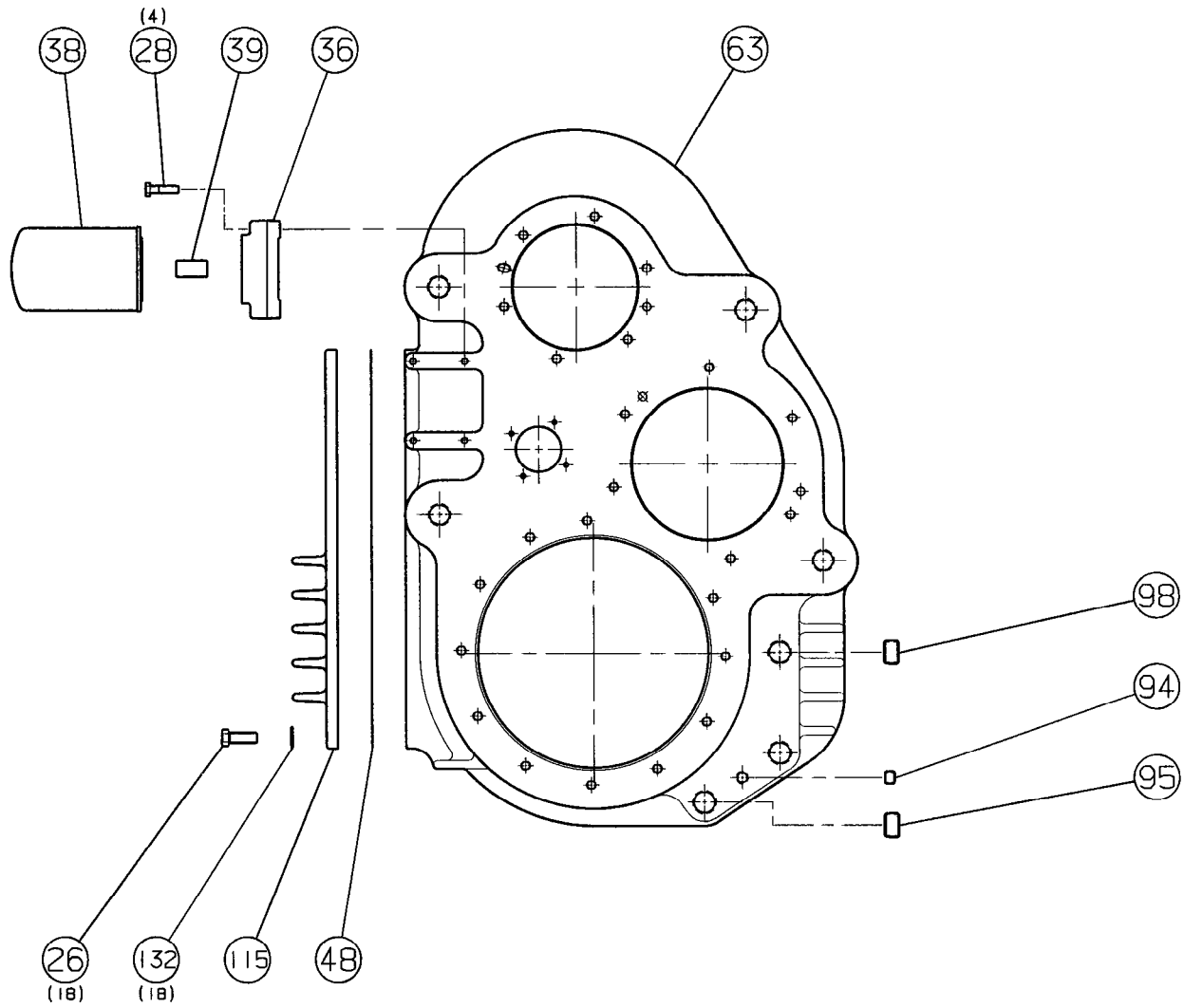


FIGURE 8.13 , TC-142 TC-1421 , HOUSING & FILTER PARTS

## 9.0 PARTS LIST

<u>ITEM</u>	<u>PART NO.</u>	<u>DESCRIPTION</u>	<u>TC-142 QTY</u>	<u>TC-1421 QTY</u>	<u>FOOT NOTE</u>
1	233 245	Bearing Cup	1	1	
2	233 375	Bearing Cup	1	1	
3	233 443	Bearing Cone	2	2	
4	233 444	Bearing Cup	2	2	
5	233 489	Bearing Cone	1	1	
6	233 523	Bearing Cup & Cone Assembly	2	2	
7	233 524	Bearing Cup & Cone Assembly	1	1	
8	233 525	Bearing Cup & Cone Assembly	1	1	
9	233 526	Bearing Cone	1	1	
10	233 527	Bearing Cup	4	2	
11	233 528	Bearing Cone	4	2	
12	233 554	Bearing Cup	2	2	
13	233 556	Bearing Cone	2	2	
14	235 352	Cap, Shift Cylinder	3	2	
15	235 388	Cap, Shifter Shaft, Front	1	1	
16	235 492	Cap, Oil Pump	1	1	
17	235 528	Cap, Shift Cylinder, Inside Recessed	1	1	
18	235 577	Cap, Upper Shaft, Rear	1	1	
19	235 579	Cap, Intermediate Shaft, Front	1	1	
20	235 583	Cap, Intermediate Shaft, Rear	1	1	
21	237 357	Carrier, Upper Shaft, Front	1	1	
22	237 393	Carrier, Bearings & Seal, PTO Output	1	1	
23	237 427	Carrier, Bearings & Seal, Front Output	1	1	
24	237 593	Carrier, Lower Shaft, Rear	1	1	
25	265 229	Bolt, H.H. 1/2-13 x 1 3/4	4	4	
26	265 238	Bolt, H.H. 7/16-14 x 1 1/4	52	52	
27	265 239	Bolt, H.H. 7/16-14 x 1	8	8	
28	265 323	Bolt, H.H. 5/16-18 x 1 1/4	4	4	
29	265 325	Bolt, H.H. 5/16-18 x 2	6	6	
30	265 343	Bolt, H.H. 1/4-20 x 1/2	8	8	



## 9.0 PARTS LIST CONT'D.

<u>ITEM</u>	<u>PART NO.</u>	<u>DESCRIPTION</u>	<u>TC-142 QTY</u>	<u>TC-1421 QTY</u>	<u>FOOT NOTE</u>
31	265 363	Bolt, H.H. 1/2-13 x 1 1/2	13	13	
32	265 386	Bolt, H.H. 1/4-20 x 3/4	4	4	
33	265 768	Bolt, H.H. 7/16-20 x 1 3/8, Grade 8 with Drilled Head	4	4	
34	265 769	Bolt, H.H. 1/4-20 x 3 3/4	8	8	
35	265 772	Bolt, H.H. 1/4-20 x 4 1/2	4	4	
36	273 764	Bracket, Filter Mounting	1	1	
37	339 223	Felt Wiper	4	3	
38	345 267	Filter, Oil	1	1	
39	356 365	Nipple, Oil Filter	1	1	
40	367 254	Fork, Shift, Declutches	2	2	
41	367 278	Fork, Shift, Direct	1	1	
42	427 372	Gasket, Upper Shaft, Front	1	1	
43	427 375	Gasket, Declutch Carriers	2	2	
44	427 376	Gasket, Declutch Covers	2	2	
45	427 399	Gasket, Shifter Shaft Cap, Front	1	1	
46	427 428	Gasket, Intermediate Cap, Rear	1	1	
47	427 432	Gasket, Lower Carrier, Rear	1	1	
48	427 434	Gasket, Housing Cover	1	1	
49	432 426	Gear, Clutch Collar, Declutches	2	2	
50	432 429	Gear, Speedo Driven, 13T	1	0	
51	432 432	Gear, Speedo Drive, 6T	1	0	
52	432 485	Gear, Clutch Collar, 33 Clutch Teeth	1	1	1
	432 698	Gear, Clutch Collar, 33 Tapered Clutch Teeth	1	1	1
53	432 494	Gear, Pump Drive	1	1	
54	432 563	Gear, Clutch, Declutches	2	2	
55	432 636	Gear, Declutch	2	2	
56	432 646	Gear, Intermediate Shaft, Spur, 49T	1	1	1
	432 679	Gear, Intermediate Shaft, Helical, 47T	1	1	1
57	432 647	Gear, Upper Shaft, Spur, 48T	1	1	1
	432 682	Gear, Upper Shaft, Helical, 45T			1

## 9.0 PARTS LIST CONT'D.

<u>ITEM</u>	<u>PART NO.</u>	<u>DESCRIPTION</u>	<u>TC-142 QTY</u>	<u>TC-1421 QTY</u>	<u>FOOT NOTE</u>
58	432 648	Gear, Intermediate Shaft, Spur, 31T	1	0	1
	432 683	Gear, Intermediate Shaft, Helical, 29T	1	0	1
59	432 649	Gear, Lower Shaft, Spur, 66T	1	0	1
	432 684	Gear, Lower, 62 Helical Teeth	1	0	1
	432 699	Gear, Lower, 62 Helical Teeth and Tapered Clutch Teeth	1	0	1
60	432 652	Gear, Lower Shaft, Spur 48T	1	1	1
	432 685	Gear, Lower, 45 Helical Teeth	1	0	1
	432 722	Gear, Lower, 45 Helical Teeth and Tapered Clutch Teeth	1	0	1
61	478 232	Housing, Declutch, PTO Output	1	1	
62	478 259	Housing, Declutch, Front Output	1	1	
63	478 263	Housing, Transfer Case	1	1	
64	675 014	O-Ring, Shifter Shaft, Direct	1	1	
65	675 224	O-Ring, Shift Cylinders	11	11	
66	675 326	O-Ring, Shift Pistons	4	3	
67	688 245	Nut, Jam, 1 1/4-12	1	1	
68	688 395	Nut, Hex, 1/4-20	4	0	
69	688 464	Nut, Lock, 3/8-24	3	2	
70	688 642	Nut, Lock, 1 3/4-16	2	2	
71	688 645	Nut, Lock, 2.548-18	2	2	
72	688 693	Nut, Lock, 1/2-13	4	4	
73	688 694	Nut, Lock, 1 1/2-12	1	1	
74	688 725	Nut, Lock, 1/2-13	1	1	
75	688 726	Nut, Lock, 1/2-13	1	1	
76	688 738	Nut, Lock, 1 3/4-12	1	1	
77	724 244	Screw, Socket Set, Lock, 3/8-16 x 5/8	2	2	
78	724 677	Screw, 12-pt, 7/16-14 x 2 1/4	12	12	
79	732 333	Seal, Oil, Input, Front & PTO Outputs	3	3	
80	732 355	Seal, Oil, Rear Output	1	1	
81	736 747	Stop Ring, Piston	4	3	

## 9.0 PARTS LIST CONT'D.

<u>ITEM</u>	<u>PART NO.</u>	<u>DESCRIPTION</u>	<u>TC-142 QTY</u>	<u>TC-1421 QTY</u>	<u>FOOT NOTE</u>
82	736 939	Spacer Bearing, .360 Thick, Front Output Shaft	A/R	A/R	2
	736 942	Spacer Bearing, .365 Thick, Front Output Shaft	A/R	A/R	2
	736 943	Spacer Bearing, .370 Thick, Front Output Shaft	A/R	A/R	2
	736 944	Spacer Bearing, .375 Thick, Front Output Shaft	A/R	A/R	2
	736 959	Spacer Bearing, .380 Thick, Front Output Shaft	A/R	A/R	2
	736 962	Spacer Bearing, .385 Thick, Front Output Shaft	A/R	A/R	2
83	742 799	Shaft Shifter, Declutch	2	2	
84	744 278	Shim, Coral .030 Thick, Upper Shaft Rear	A/R	A/R	3
	744 279	Shim, Pink .015 Thick, Upper Shaft Rear	A/R	A/R	3
	744 282	Shim, Blue .005 Thick, Upper Shaft Rear	A/R	A/R	3
	744 283	Shim, Red .002 Thick, Upper Shaft Rear	A/R	A/R	3
85	744 324	Shim, Oil Pump	A/R	A/R	4
86	744 332	Shim, Coral .030 Thick, Intermediate Shaft Front	A/R	A/R	3
	744 333	Shim, Pink .015 Thick, Intermediate Shaft Front	A/R	A/R	3
	744 334	Shim, Blue .005 Thick, Intermediate Shaft Front	A/R	A/R	3
	744 335	Shim, Red .002 Thick, Intermediate Shaft Front	A/R	A/R	3
87	744 357 001	Shim, Red .002 Thick, Lower Shaft Front	A/R	A/R	3
	744 357 002	Shim, Blue .005 Thick, Lower Shaft Front	A/R	A/R	3
	744 357 003	Shim, Pink .015 Thick, Lower Shaft Front	A/R	A/R	3
	744 357 004	Shim, Coral .030 Thick, Lower Shaft Front	A/R	A/R	3
88	746 628	Pin, Dowel, 5/16 x 1 1/4	2	2	
89	753 232	Piston, Shift			
90	753 245	Piston, Shift, Direct	1	1	
91	756 233 003	Spacer Bearing, .306 Thick, PTO Output Shaft	A/R	A/R	2
	756 233 004	Spacer Bearing, .311 Thick, PTO Output Shaft	A/R	A/R	2
	756 233 005	Spacer Bearing, .316 Thick, PTO Output Shaft	A/R	A/R	2
	756 233 006	Spacer Bearing, .321 Thick, PTO Output Shaft	A/R	A/R	2
	756 233 007	Spacer Bearing, .326 Thick, PTO Output Shaft	A/R	A/R	2
	756 233 008	Spacer Bearing, .331 Thick, PTO Output Shaft	A/R	A/R	2
	756 233 009	Spacer Bearing, .336 Thick, PTO Output Shaft	A/R	A/R	2
92	756 237 001	Spacer Bearing, .725 Thick, Lower 48T Gear	A/R	A/R	5
	756 237 002	Spacer Bearing, .720 Thick, Lower 48T Gear	A/R	A/R	5
	756 237 003	Spacer Bearing, .715 Thick, Lower 48T Gear	A/R	A/R	5
	756 237 004	Spacer Bearing, .710 Thick, Lower 48T Gear	A/R	A/R	5

## 9.0 PARTS LIST CONT'D.

<u>ITEM</u>	<u>PART NO.</u>	<u>DESCRIPTION</u>	<u>TC-142 QTY</u>	<u>TC-1421 QTY</u>	<u>FOOT NOTE</u>
93	756 237 005	Spacer Bearing, .997 Thick, Lower 66T Gear	A/R	0	5
	756 237 006	Spacer Bearing, .992 Thick, Lower 66T Gear	A/R	0	5
	756 237 007	Spacer Bearing, .987 Thick, Lower 66T Gear	A/R	0	5
	756 237 008	Spacer Bearing, .982 Thick, Lower 66T Gear	A/R	0	5
94	758 255	Plug, Square Head, 1/4 NPT	2	2	
95	758 274	Plug, Socket Head, Magnetic, 3/4 NPT	1	1	
96	758 328	Plug, 1" Welch	2	2	
97	758 342	Plug, Speedo, 13/16-20	0	1	
98	758 352	Plug, Square Head, 3/4 NPT	1	1	
99	762 288	Snap Ring	2	2	
100	7691354	Shaft, Shifter, Direct	1	1	
101	769 389	Shaft, Shifter, Neutral	1	0	
102	776 234	Shaft, Front Output	1	1	
103	776 237	Shaft, PTO Output	1	1	
104	776 243	Shaft, Upper	1	1	
105	776 244	Shaft, Intermediate	1	1	
106	776 278	Shaft, Lower	1	1	
107	777 477	Spring, Shifter Shaft, Declutches	2	2	
108	777 486	Spring, Shifter Shaft, Direct	1	1	
109	777 536	Spring, Assembly, Oil Pump	1	1	
110	782 288	O-Ring, Shifter Shaft, Declutches	3	2	
111	786 292	Pump Cartridge	1	1	
112	788 546 002	Stud, 1/4-20 x 9	4	0	
113	792 866	Plate, Declutch Cover	2	2	
114	792 867	Plate, SAE (4) Bolt Hydraulic Pump Mounting	1	1	
115	793 275	Plate, Housing Cover	1	1	
116	793 436	Plate, SAE (2) Bolt Hydraulic Pump Mounting	1	1	
117	793 464	Plate, Shift Fork Nut, Locking	1	1	
118	798 245	Switch, Shift Indicator, Declutches	2	2	
119	836 223	Vent, 3/8 NPT	1	1	

## 9.0 PARTS LIST CONT'D.

<u>ITEM</u>	<u>PART NO.</u>	<u>DESCRIPTION</u>	<u>TC-142 QTY</u>	<u>TC-1421 QTY</u>	<u>FOOT NOTE</u>
120	883 473	Tube, Sleeve, Speedo Driven Gear	1	0	
121	883 482	Tube, Shift Cylinder Adapters, Declutches	2	2	
122	883 683	Tube, Shift Cylinder Adapters, Direct	1	1	
123	883 887 001	Tube, Shift Cylinder, Declutches, 2.75 Long	2	2	
124	883 887 005	Tube, Shift Cylinder, Direct, 3.50 Long	1	1	
125	883 887 006	Tube, Shift Cylinder, Neutral, 3.06 Long	1	0	
126	883 893	Tube, Shift Cylinder Adapter, Neutral	1	0	
127	883 996 001	Tube, Spacer, Rear Output	1	0	
128	884 234	Tube, Spacer, Intermediate Shaft	0	1	
129	884 235	Tube, Spacer, Lower Shaft	0	1	
130	884 256 001	Tube, Spacer, Rear Output	0	1	
131	927 299	Washer, Lock, 5/16	6	6	
132	927 347	Washer, Flat, 7/16	38	38	
133	927 427	Washer, Copper	2	2	
134	927 553	Washer, Shifter Shaft, Direct	1	1	
135	927 643	Washer, Shifter Shaft, Declutches	3	2	
136	927 775 005	Washer, PTO Output	1	1	
137	927 775 006	Washer, Input & Rear Output	2	2	
138	947 223	Lockwire	2	2	
139	966 327	Key	3	2	

### FOOTNOTES:

1. Verify correct part number etched on the gear. Caution: if one gear is replaced, others may also need replacement to retain compatibility. Contact Fabco Engineering for technical assistance.
2. Select one bearing spacer, see section 6.7 of service manual.
3. Select shim pack, see section 6.5 of service manual.
4. Select shims, see section 6.8 of service manual.
5. Select one bearing spacer, see section 6.3 of service manual.

## 9.0 PARTS LIST CONT'D.

### PARTS NOT ILLUSTRATED

<u>PART NO.</u>	<u>DESCRIPTION</u>	<u>TC-142</u> <u>QTY</u>	<u>TC-1421</u> <u>QTY</u>
626 228	Name Plate	1	1
724 276	Drive Screws, Name Plate	2	2

### LUBRICATION PIPING

#### Suction Line (Sump to Pump)

824 275	Street Tee, 3/4 NPT	1	1
345 268	Strainer, Oil	1	1
357 967	45° Street Elbow, 3/4 NPT	1	1
469 825 004	# 12 Hose Assembly	1	1
357 575	90° Elbow, 1/2 NPT x # 12 JIC	1	1
357 472	90° Street Elbow, 1/2 NPT	1	1

#### Pressure Line (Pump to Filter)

357 238	Adapter, 3/8 NPT x # 8 JIC	1	1
469 823 003	# 8 Hose Assembly	1	1
357 966	45° Elbow, 1/2 NPT x # 8 JIC	1	1

#### Pressure Line (Filter to Housing)

357 697	90° Elbow, 1/2 NPT x # 6 JIC	1	1
469 778	# 6 Hose Assembly	1	1
357 935	90° Street Elbow, 1/4 NPT x 3/8 NPT	1	1

#### Pressure Line (Filter to PTO Carrier)

357 697	90° Elbow, 1/2 NPT x # 6 JIC	1	1
469 822 007	# 6 Hose Assembly	1	1
357 385	Street Tee, 1/4 NPT x # 6 JIC	1	1
355 584	Nipple, 1/4 NPT x 1 1/2 Long	1	1

#### Pressure Line (PTO Carrier to Housing)

469 778	# 6 Hose Assembly	1	1
357 935	90° Street Elbow, 1/4 NPT x 3/8 NPT	1	1